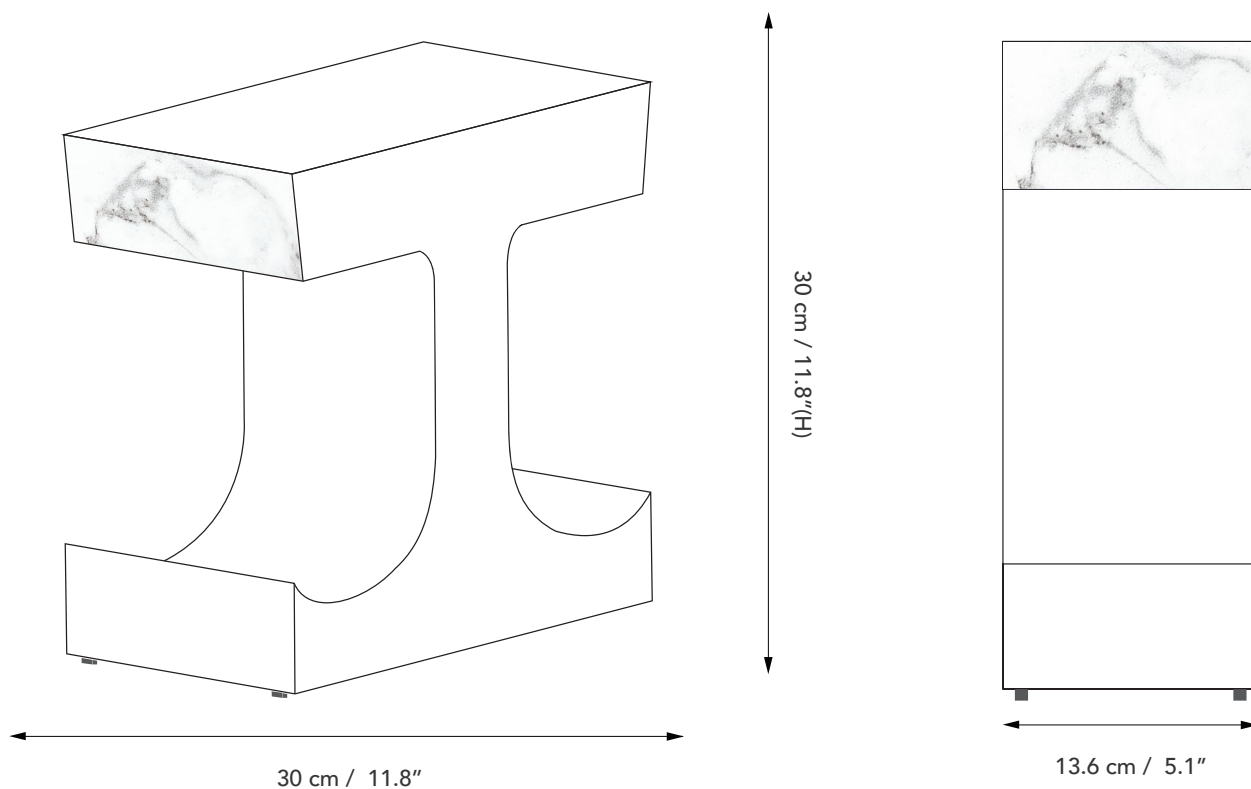




QUARTER VIEW

SIDE VIEW



T LAMP

TABLE LAMP

CHARACTERISTICS

MATERIALS:
Brass, Marble

INPUT:
110-240 V

METAL FINISH:
Polished, Burnished or Blackened

PROTECTION SIGN:
IP 20

DIMENSIONS:
30 cm x 13.6 cm x 30 cm(H)
11.8" x 5.1" x 11.8"(H)

ELECTRICAL CLASS:
Class 2

OPERATING TEMPERATURE:
-30 ~ +70°C

WEIGHT:
4.4 kg

CERTIFICATION:
CE (Pending)

LIGHT:
2 x E27, 7W LED Max
2700 K, >90 CRI (recommended)
No Bulbs Supplied

SHIPPING DIMENSIONS:
47 cm x 20 cm x 47 cm(H)
18.5" x 7.8" x 18.5"(H)

CORDSET LENGTH:
200 cm (78.8") with black flex
and inline power switch

SHIPPING WEIGHT:
5.5 kg

